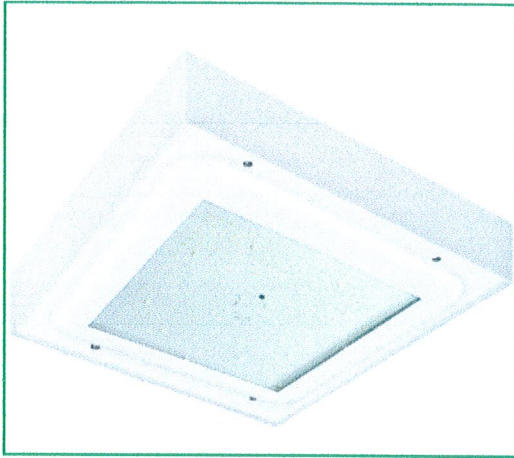


LI GX 1210

LED SURFACE MOUNT - LEGACY™ (CRU SM)



US & Int'l. patents pending.

SMARTEC ENERGY SAVING FEATURES

THERMAL CONTROL - LSI drivers feature integral sensor which reduces drive current, when ambient temperatures exceeds rated temperature.

HOUSING - One-piece, die-formed, aluminum housing with powder coated finish. One conduit knockout and four mounting holes.

LEDS - Features an array of select, mid-power, high brightness, high efficiency LED chips; 5000K color temperature, 70 CRI (nominal).

DRIVE CURRENT - Choice of High Output (HO) or Very High Output (VHO).

OPTICS / DISTRIBUTION - Symmetrical, which directs light through a glass lens to provide a uniform distribution of light to vertical and horizontal surfaces.

OPTICAL UNIT - Features an ultra-slim 3/4" profile die cast housing, with a standard flat clear or diffused glass lens. Unit is water-resistant, sealed to an IP67 rating. Integral designed heat sink does not trap dirt and grime, ensuring cool running performance over the life of the fixture.

PRESSURE STABILIZING VENT - Luminaire assembly incorporates a pressure stabilizing vent breather to prevent seal fatigue and failure.

DRIVER - State-of-the-art driver technology superior energy-efficiency and optimum light output. Driver components are fully encased in potting for moisture resistance. Complies with IEC and FCC standards.

ADAPTOR PANEL - Die formed galvanized steel, with powder coat finish.

OPERATING TEMPERATURE - -40°C to 50°C (-40°F to +122°F)

ELECTRICAL - Universal voltage power supply, 120-277 VAC, 50/60 HZ input. LSI drivers feature two-stage surge protection (including separate surge protection built into electronic driver) meets IEEE C62.41.2-2002, Scenario 1, Location Category C.

FINISH - Standard color is white and is finished with LSI's DuraGrip polyester powder coat process. DuraGrip withstands extreme weather changes without cracking or peeling.

INSTALLATION - Pre-assembled optical unit and mounting panel attaches to fixture housing via 4 fasteners. Driver is pre-mounted to back of optical assembly.

SHIPPING WEIGHT - 35 pounds.

EXPECTED LIFE - Minimum 60,000 to 100,000 hours depending upon the ambient temperature of the installation location. See LSI web site for specific guidance.

WARRANTY - Limited 5-year warranty.

LISTING - UL listed to UL 1598, UL 8750 and other U.S. and International safety standards. Suitable for wet locations.

PHOTOMETRICS - Applications layouts are available upon request. Contact LSI Petroleum Lighting or petroleum.apps@lsi-industries.com

DOE LIGHTING FACTS

Department of Energy has verified representative product test data and results in accordance with its Lighting Facts Program. Visit www.lightingfacts.com for specific catalog strings.

This product, or selected versions of this product, meet the standards listed below. Please consult factory for your specific requirements.



IP67



UL US LISTED wet location



Project Name _____ Fixture Type _____

Catalog # _____

10/21/14

© 2014 LSI INDUSTRIES INC.

LED SURFACE MOUNT - LEGACY™ (CRU SM)

LUMINAIRE ORDERING INFORMATION

TYPICAL ORDER EXAMPLE: **CRU SM SC LED HO CW UE WHT**

| Prefix | Distribution | Light Source | Drive Current | Color Temperature | Input Voltage | Finish | Options |
|---------------------------|-------------------------|--------------|--|-------------------|--|--|---------------------|
| CRU SM (Surface Mount) | SC - Standard Symmetric | LED | HO - High Output VHO - Very High Output | CW - Cool White | UE - Universal Voltage (120-277V) 480-480 Volt ¹ | WHT - White BRZ - Bronze BLK - Black | DFL - Diffused Lens |

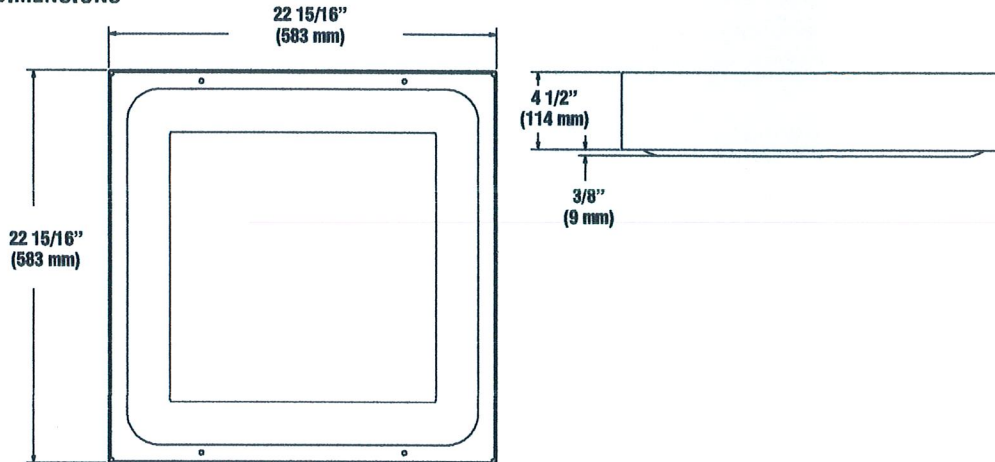
FOOTNOTES:

1- 480V only available in HO drive current.

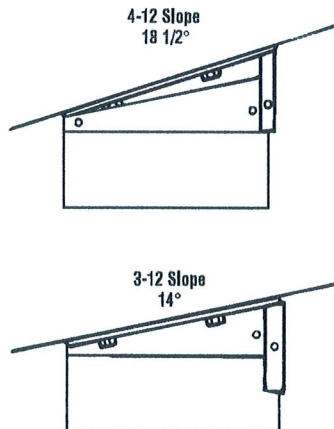
ACCESSORY ORDERING INFORMATION

| Description | Order Number |
|---------------------------|--------------|
| SSA Slope Surface Adaptor | 52152 CLR |
| 2x2 Shallow Housing Only | 545376 |
| 10' Toggle Cable Hanger | TCH10 |

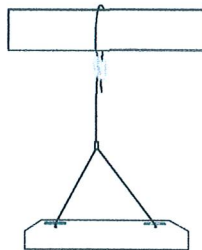
DIMENSIONS



SLOPE SURFACE ADAPTOR – SSA ACCESSORY



TOGGLE CABLE HANGER



LIGHT OUTPUT - CRU SM

| | | Lumens | Watts | LPW |
|------------|------------------------|--------|-------|-----|
| Cool White | HO - High Output | 19,630 | 150 | 131 |
| | VHO - Very High Output | 23,523 | 196 | 120 |